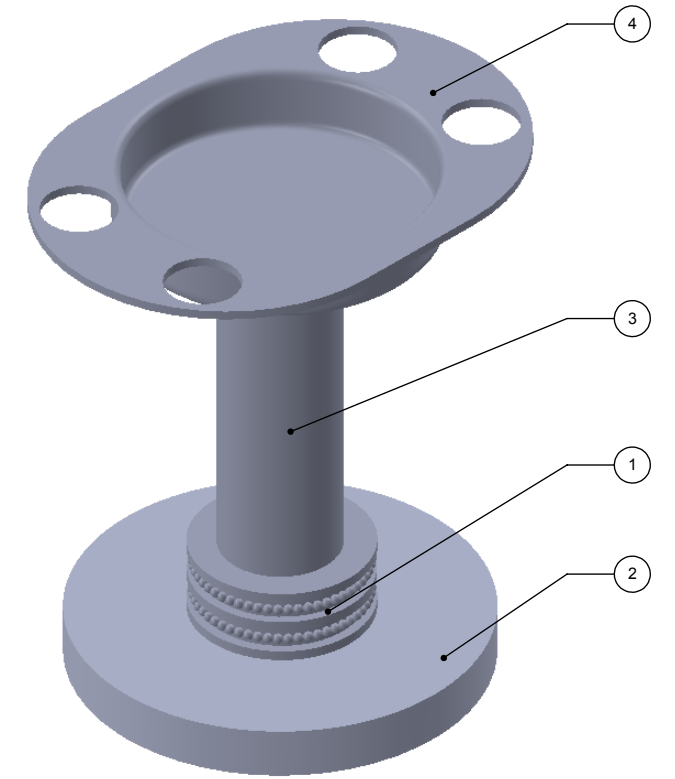
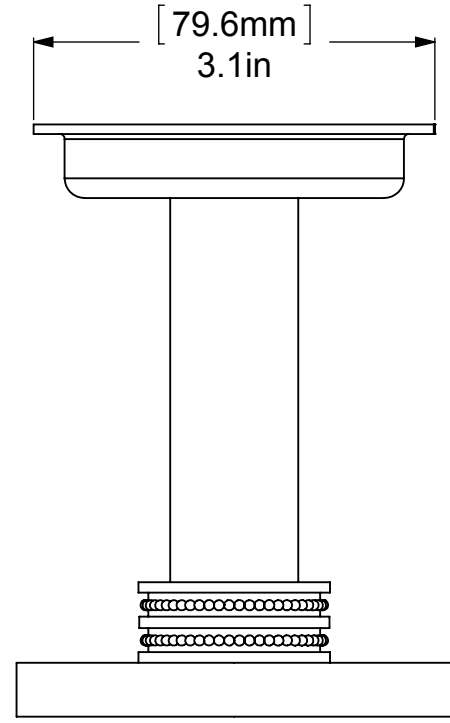
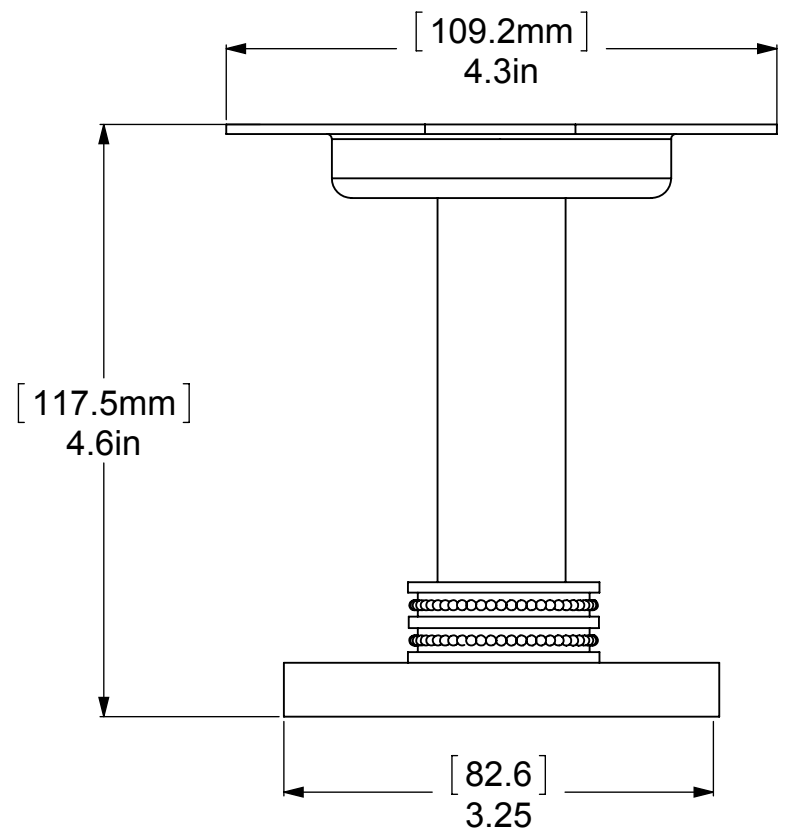


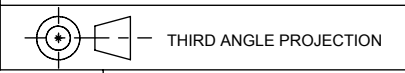
ITEM NO.	P/N	DESCRIPTION	QTY.
1	RGDT	HUB	1
2	BSRD-3.25	BASE	1
3	TU1-3	TUBE	1
4	HROVT	PLATE	1



UNLESS OTHERWISE STATED	
.X	±.3mm
.XX	±.15mm
.XXX	±.008mm

APPROVED FOR PRODUCTION
 By: RICHARD PAUL
 Date: 7-6-19

COPYRIGHT © Allied Brass 2019



DRAWN	7-6-19	I.M
CHECKED	7-6-19	P.D
APPROVED	7-6-19	R.A

MATERIAL: BRASS
 DESCRIPTION: Tumbler and Toothbrush Holder

FINISH	TBD
QUANTITY	TBD
DRAWING No.	REV
955D	0
SCALE	1:1.5
SHEET: 01	A4